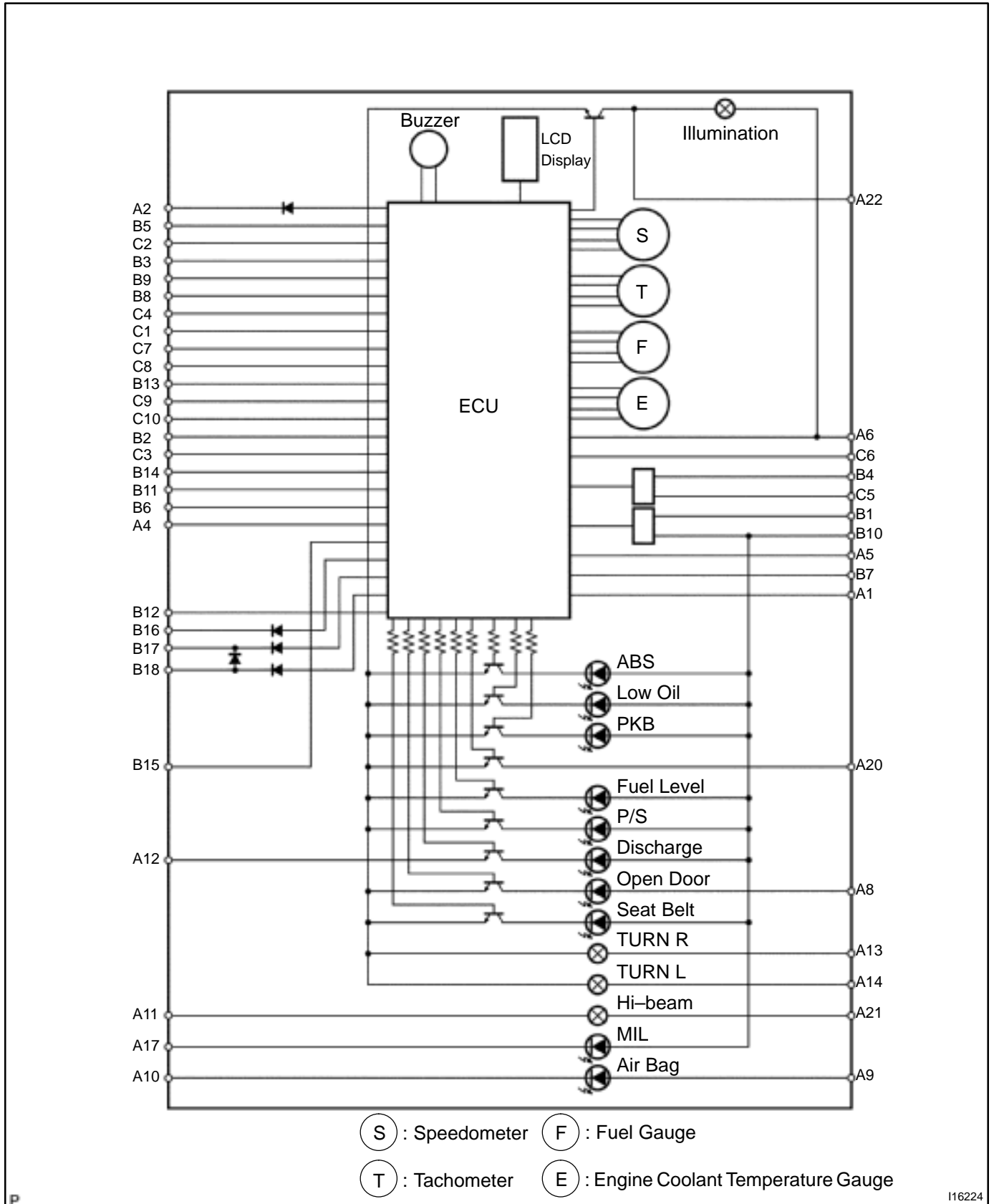


CIRCUIT



P

I16224

No.	Wiring connector side
A	1 Heater Main Relay (Marking: HTR)
	2 Key Unlock Warning Switch
	4 ABS ECU (Speed Meter)
	5 Power Steering ECU (SPD Terminal), ECM (SPD Terminal)
	6 PANEL Fuse
	8 DOME Fuse
	9 Airbag Sensor Assembly (IG2 Terminal)
	10 Airbag Sensor Assembly (LA Terminal)
	11 Ground
	12 Ground
	13 Hazard Switch
	14 Hazard Switch
	17 ECM (W Terminal)
	20 Passenger Seat Belt Warning Light (Heater Control Assembly)
21 Daytime Running Light Relay	
22 HAZARD Switch, HTR Panel, Audio	
B	1 ECU-B Fuse
	2 Rheostat
	3 Fuel Sender
	4 ECM (MPX1 Terminal)
	5 I/UP Fuse, Defogger Relay
	6 Brake Fluid Level Warning Switch
	7 RADIO2 Fuse
	8 Ground
	9 Fuel Sender
	10 GAUGE Fuse
	11 Power Steering ECU (WL Terminal)
	12 ABS ECU (WA Terminal)
	13 A/C Switch (L A/C Terminal)
	14 Ground
	15 RH Buckle Switch
	16 LH Buckle Switch and Tension Reducer
	17 LH Door Courtesy Switch
	18 RH Door Courtesy Switch
C	1 A/C Thermistor
	2 Fuel Sender
	3 Rheostat
	4 A/C Thermistor
	5 ECM (MPX2 Terminal)
	6 ECM (TACH Terminal)
	9 A/C Switch (S A/C Terminal)
	10 A/C Switch (DEF Terminal)

MPX: Multiplex communication
Temp. : Temperature